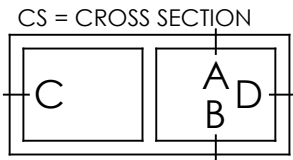
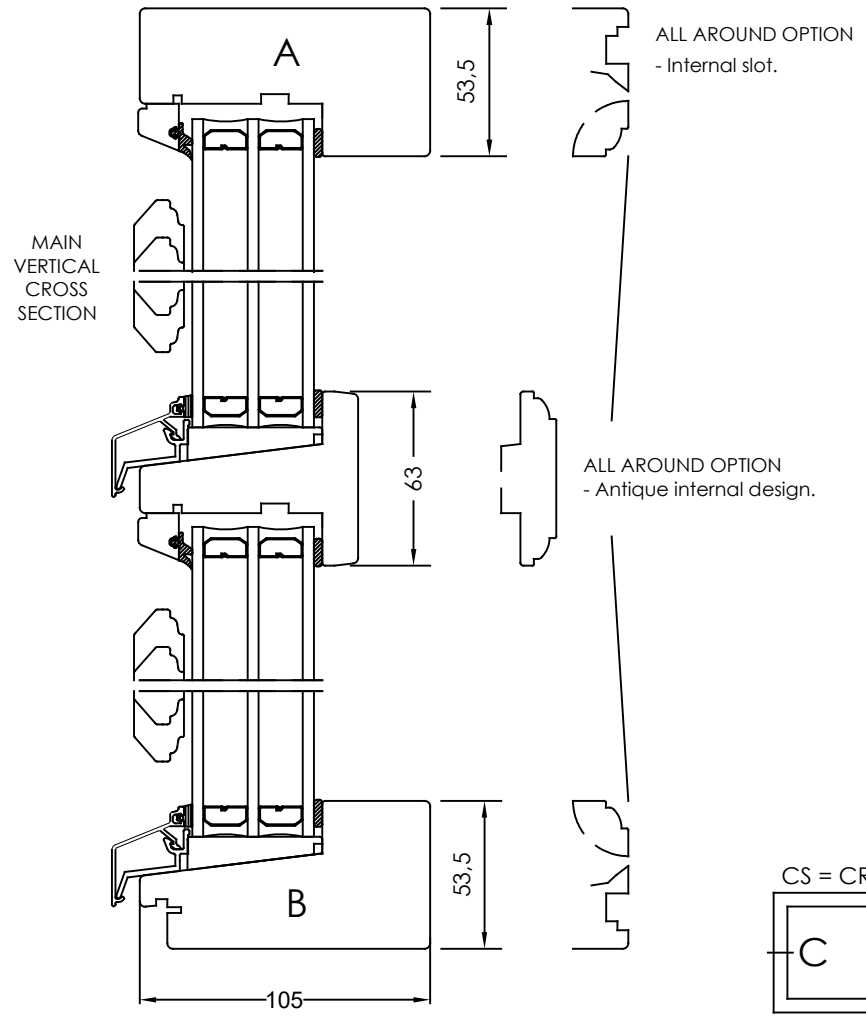
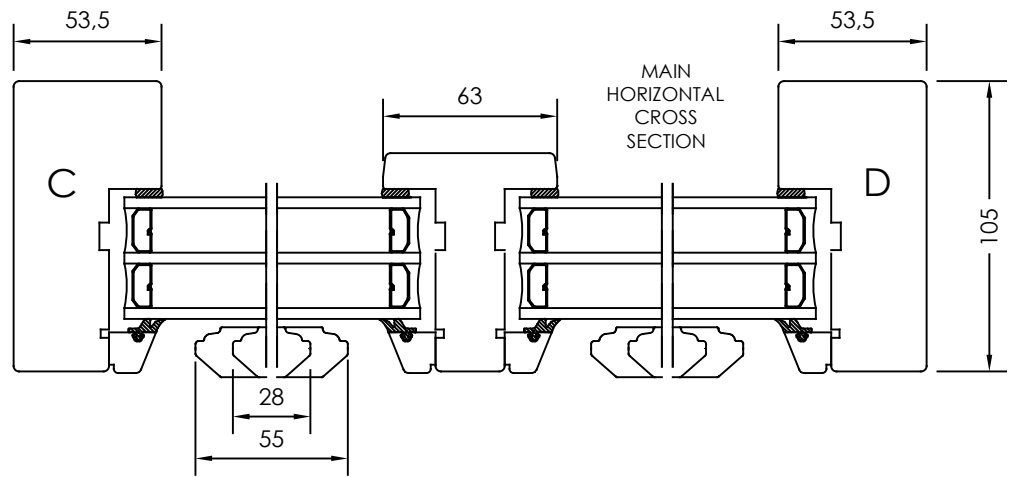


Rev	Description	Rev. by	Date



Designed by JB	Designed date 2023-03-25	Product Category Window Outward	Processing Code
Approved by JB	Approved date 2023-11-30	Product Type Fixed	Material
		Fast 3-glas, glaslist 44 Fixed 3-glass, glazing bead 44	Tolerances unless otherwise specified ISO 2768-1 m Article Number Drawing Number 61-37-F021
		View orientation 	Scale 1:1
		Revision A	

We reserve all rights in this document and in the information contained therein.
 Reproduction, use or disclosure to third parties without express authority is strictly forbidden.
 INWIDO